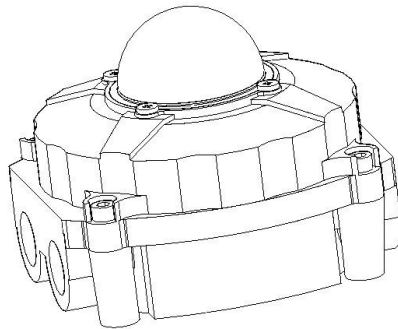


APL-500 Series Limit Switch Box

USER'S MANUAL



Altech A.S

1. Introduction

The APL500 series limit switch box with position indicator provides open to close switch signaling and continuous visible rotational degree monitoring of quarter turn valves. The rugged and compact design is best suited for small ball valve assemblies, or any place where space is limited.

2. Order Symbols

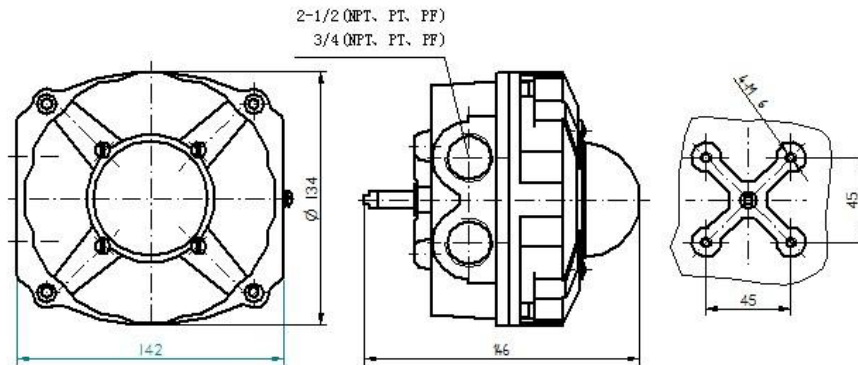
APL-^⑤ ^① ^②

^⑤ Shell Type	Ex-proof (Ex dII CT6)、Weather Protection (IP67)
^① Switch Type	Mechanical Type: ^⑩ 2-SPDT ^⑪ 3-SPDT ^⑫ 4-SPDT ^⑬ 2-SPST ^⑭ 2-DSDT ^⑮ 2-SPDT+Potentiometer ^⑯ 2-SPDT+PTM (4-20mA) Proximity Sensor Type: ^⑰ NJ2-V3-N
^② Bracket	A (30x80xH) B (30x130xH)

3. Specification

Model	APL-500			
	Standard		Option	
Shell Type	Ex-proof Ex dII CT6 Weather Protection IP67			
Ambient Temp	-25°C ~ +85°C			
Conduit	2-3/4NPT		PT3/4 PF3/4	
Terminal Strips	8		9~24	
Position Indicator	0~90°		0~180°	
	Open-Yellow		Closed-Red	
Switch Rating	Mechanical Type	SPDT	AC	125/250V 15A
			DC	250V 15A
	DPDT	AC	20A,125/250V;1HP,125V;2HP,250V	
	Proximity Sensor Type	0~25VDC		
Pontoniometer	1K Ω , 5K Ω , 10K Ω			
Feedback	4~20mA(20~4mA)			
Material	Aluminum Diecasting			
Weight	1.5kg			

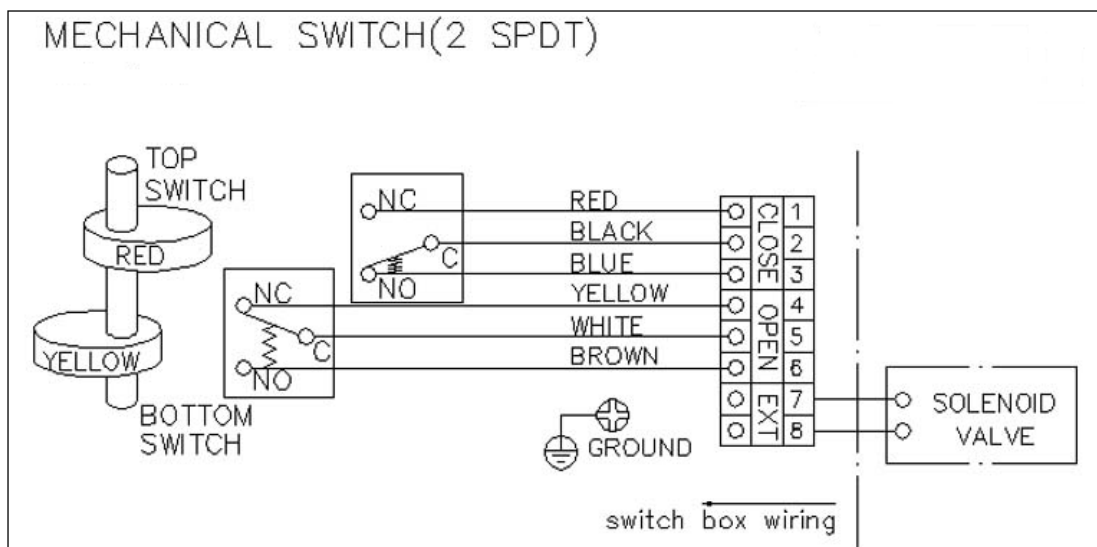
4. Dimensions



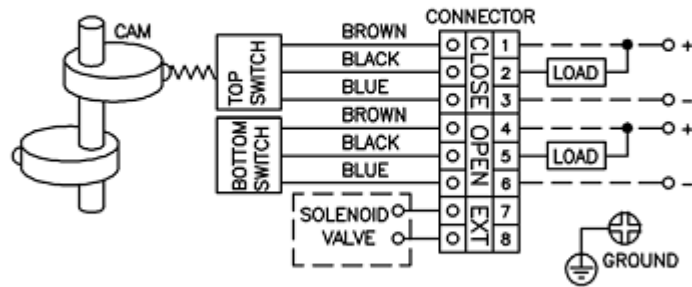
5. Connection-Power

- When connecting power, please make sure to use flameproof proven and/or cable gland when is used under explosion environment
- If cover must be opened for any case, the power must be turned off and wait for at least 30 seconds.
- For unused power connectors, please make sure to use blind plugs which is explosion proof certified.
- When wiring, make sure the polarities are correct. And do not use too much force when pull the cable to make sure the cable does not peel off.
- The user must follow other explosion proof procedures and safety precautions to ground.

6. Wiring



感应式开关 (NPN型式)



MECHANICAL SWITCH(2 DPDT)

