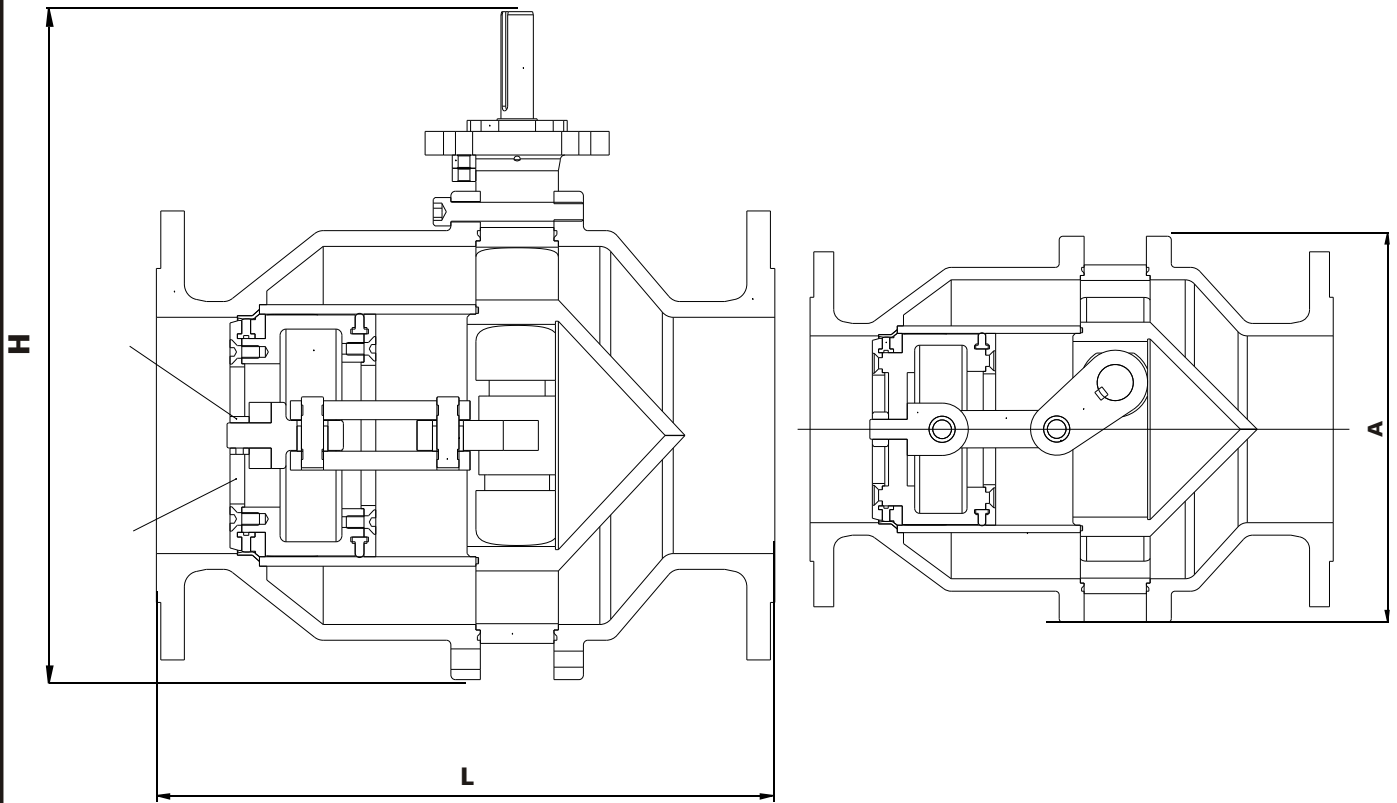


No	Description	Material	Standard	BS Std.	DIN Standard
1	Body	Ductile Iron	GGG50	2789-73 Gr. 500/7	1693 GGG-50
		Cast Steel (PN 64)	GS-C25		
2	Exit Cover	Ductile Iron	GGG50	2789-73 Gr. 500/7	1693 GGG-50
		Cast Steel (PN 64)	GS-C25		
3	Inlet Cover	Ductile Iron	GGG50	2789-73 Gr. 500/7	1693 GGG-50
		Cast Steel (PN 64)	GS-C25		
4	Pipe	Stainless Steel	AISI304		17440 1.4301
5	Shaft	Stainless Steel	X20Cr13	970/4-70 420S37	17440
6	Arm	Ductile Iron	GGG50	2789-73 Gr. 500/7	1693 GGG-50
		Cast Steel (PN 64)	GS-C25		
7	Bearing	Bronze	Rg5	1400 LG2	
8	Shaft Cover	Cast Iron	GG25	1452-61 Gr. 17	1691 GG-25
		Cast Steel (PN 64)	GS-C25		
9	O-Rings	Rubber	NBR		
10	Nut	Stainless Steel	X20Cr13	970/4-70 420S37	17440
11	Lever	Stainless Steel	304 SS	970/4-70 304 S15	17440 1.4301
12	Piston	Ductile Iron	GGG50	2789-73 Gr. 500/7	1693 GGG-50
		Cast Steel (PN 64)	GS-C25		
13	Sealing Ring	Rubber	EPDM		
14	Retaining Ring	Stainless Steel	304 SS	970/4-70 304 S15	17440 1.4301
15	Sealing Ring	Rubber	NBR		
16	Retaining Ring	Stainless Steel	304 SS	970/4-70 304 S15	17440 1.4301
17	Pin	Stainless Steel	X20Cr13	970/4-70 420S37	17440
18	Nut	Steel	8.8		
19	Bearing	Bronze	Rg5	1400 LG2	1705 G-CuSn5ZnPb
20	Threaded Pin	Stainless Steel	X20Cr13	970/4-70 420S37	17440



DN	L	H	ØA
100	350	410	268
150	420	425	396
200	560	435	352
250	690	545	440
300	720	656	528
350	780	765	616
400	800	875	704
450	900	984	792
500	1000	1095	880
600	1200	1310	1056
700	1400	1530	1232
800	1600	1750	1408
900	1800	1968	1584
1000	2000	2185	1760
1200	2400	2624	2112
1400	2800	3060	2465
1600	3200	3498	2816
1800	3600	3935	3168