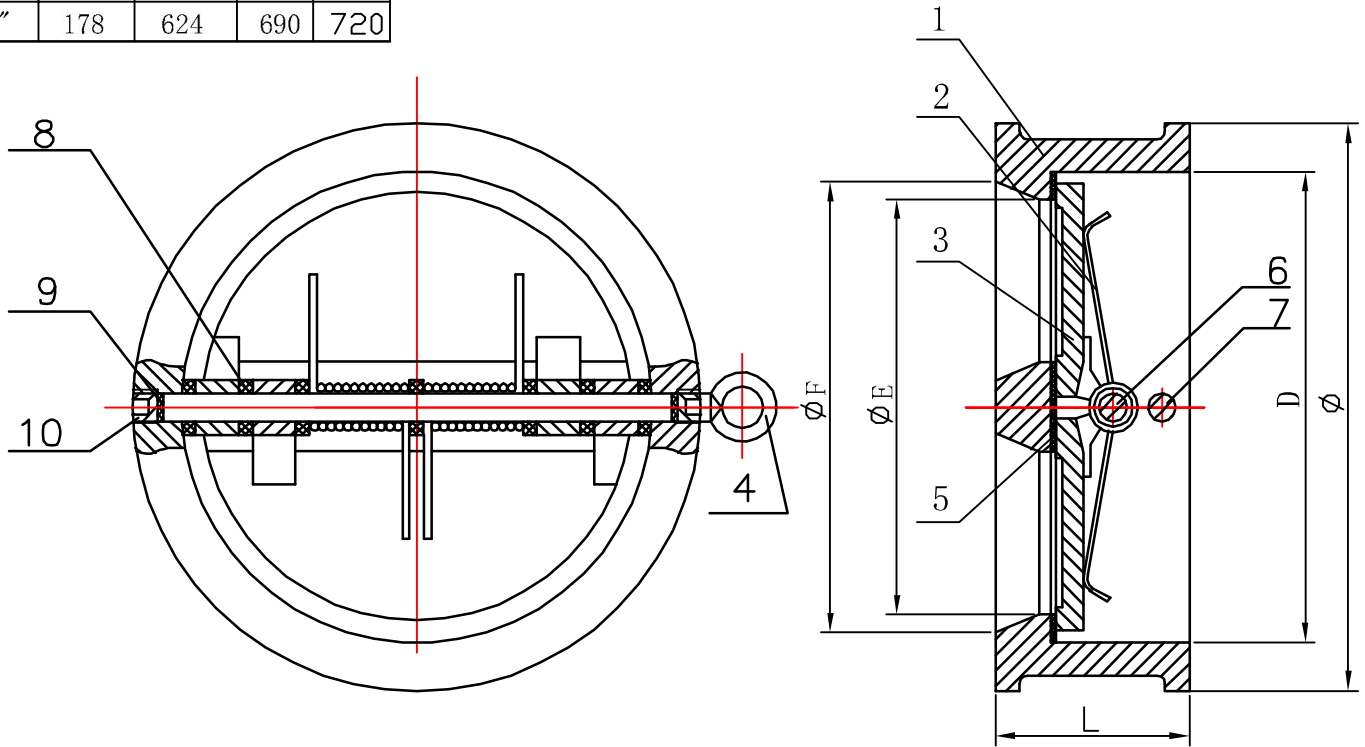


SIZE	L		D		Ø	
	DIN3202	D	DIN2501/BS4504		PN10   PN16	
			PN10	PN16	PN10	PN16
1.5"	43	65	92			
2"	43	65	107			
2.5"	46	80	127			
3"	64	94	142			
4"	64	117	162			
5"	70	145	192			
6"	76	170	218			
8"	89	224	273			
10"	114	265	328	329		
12"	114	312	378	384		
14"	127	360	438	446		
16"	140	410	489	498		
18"	152	450	532	550		
20"	154	500	585	610		
24"	178	624	690	720		

- Working pressure: 1.6MPa.
- Test standard: API598 DIN3230
- Suitable for flange:
  - DIN2501 PN10/16
  - BS4504 PN10/16
  - BS10 TABLED/E
  - JIS2220 10K/16K
  - ANSI125/150
- Face to face:
  - ANSI125/150
  - DIN3203 K3-1999
  - ISO5752-1982



NO.	Parts	Material	Qty	Notes
10	Plug	ZG35 Carbon Steel	2	
9	Gasket1	NBR	2	
8	Gasket2	EPDM	7	
7	Stem2	SS316	1	
6	Stem1	SS316	1	
5	Seat	EPDM NBR VITON	1	
4	Hanger	ZG35 Carbon Steel	1	
3	Disc	SS316 SS304	2	
2	Spring	0Cr18Ni9 Spring Steel	2	
1	Body	Stainless Steel DI CI	1	

1.Applicable Material:  
Freshwater,seawater,waste water,food stuff,steam,all kinds of oil,all kinds of acid and alkaline liquid etc.

2.Working Temperature Rating:  
EPDM: -10°C ~+120°C  
NBR: -10°C ~+80°C  
VITON: -23°C ~+150°C  
SILICON:-50°C ~+200°C

				Wafer Dual Plate Check Valve	ZHF-SB-00-01		
				<b>Assembly</b>	Page	Weight	
Mark	File No.	Sign	Date				
Design				<b>ALtech A.S</b>			
Audit							