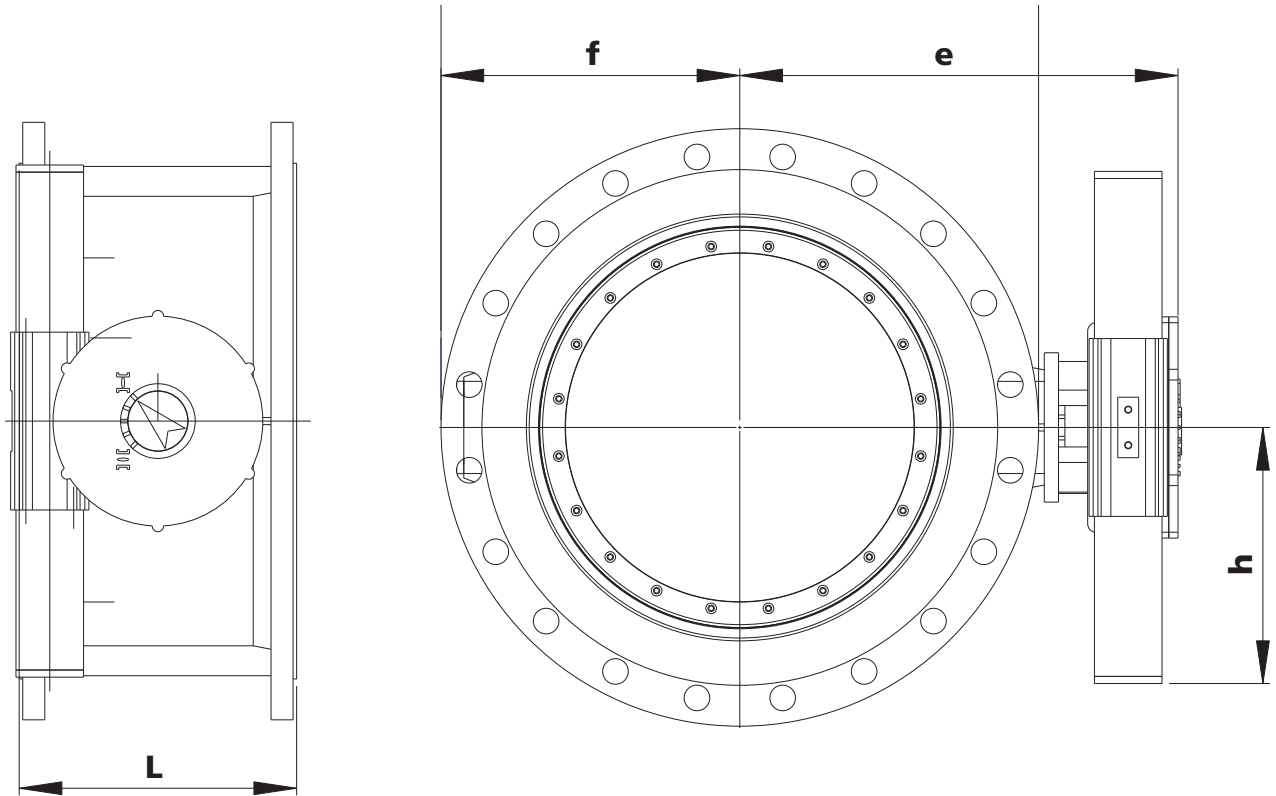


No.	Description	Material	Standard	BS Standard	DIN Standard
1	Body	Ductile Iron	GGG 50	2789-73 Gr. 500/7	1693 GGG-50
2	Disc	Ductile Iron	GGG 50	2789-73 Gr. 500/7	1693 GGG-50
3	Key on Disc	Stainless Steel	X20Cr13	970/4-70 420 S37	17440
4	Upper Shaft	Stainless Steel	304 SS	970/4-70 304 S15	17440 1.4301
		Stainless Steel	316 SS	970/4-70 316 S16	17440 1.4401
5	Lower Shaft	Stainless Steel	X20Cr13	970/4-70 420 S37	17440
		Stainless Steel	304 SS	970/4-70 304 S15	17440 1.4301
		Stainless Steel	316 SS	970/4-70 316 S16	17440 1.4401
6	Long Bearing	Bronze	Rg5	1400 LG2	1705 G-CuSn5ZnPb
7	Short Bearing	Bronze	Rg5	1400 LG2	1705 G-CuSn5ZnPb
8	Shaft Cover	Cast Iron	GG 25	1452-61 Gr. 17	1691 GG-25
9	Blind Cover	Cast Iron	GG 25	1452-61 Gr. 17	1691 GG-25
10	Sealing Ring	Rubber	EPDM / NBR		
11	Retainer	Stainless Steel	304 SS	970/4-70 304 S15	17440 1.4301
		Stainless Steel	316 SS	970/4-70 316 S16	17440 1.4401
12	Cover O-Ring	Rubber	EPDM / NBR		
13	Body Seat	Stainless Steel	304 SS	970/4-70 304 S15	17440 1.4301



DN	PN 10 - 16 BS 5155 (short)		PN 10 - 16 DIN 3202 F-4		PN 25 - 40 BS 5155 Length mm	e	f	h
	Length mm	Approx. W. (Kg)	Length mm	Approx. W. (Kg)				
400	216	205	310	220	310	440	290	250
500	229	325	350	350	350	540	360	360
600	267	540	390	570	390	630	420	360
700	292	740	430	780	430	680	455	430
800	318	1050	470	1100	470	770	515	430
900	330	1260	510	1350	510	840	560	550
1000	410	1725	550	1800	550	945	630	550
1200	470	2380	630	2500	630	1110	740	650