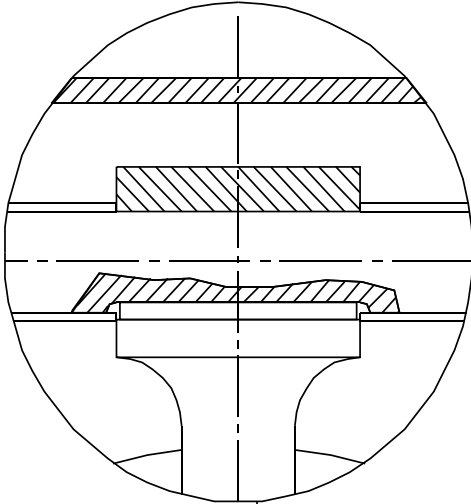
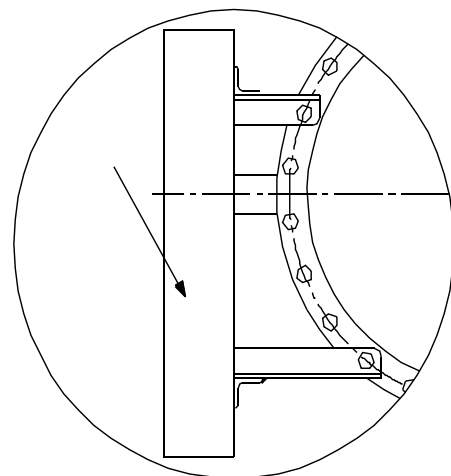
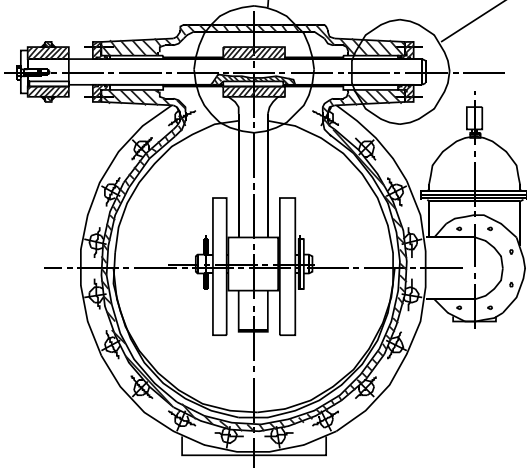
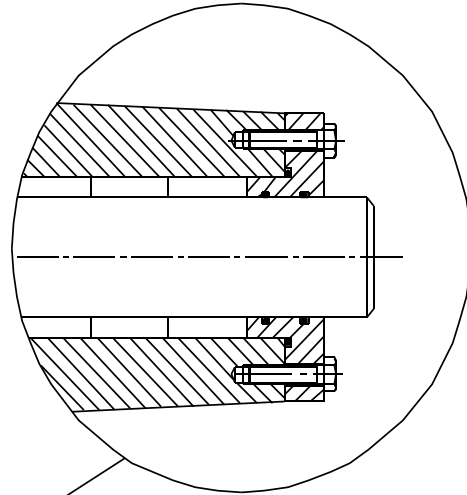


ARM-SHAFT CONNECTION

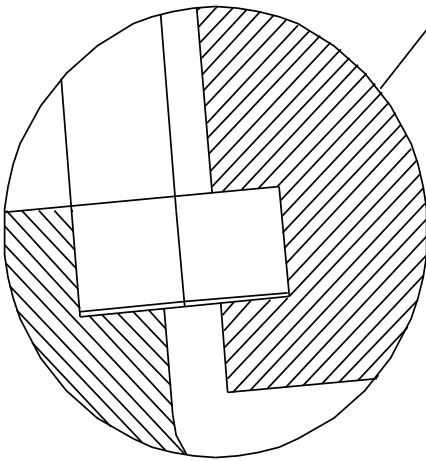
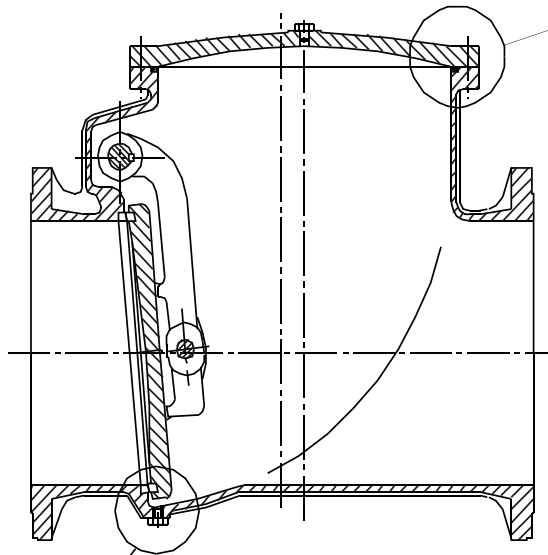
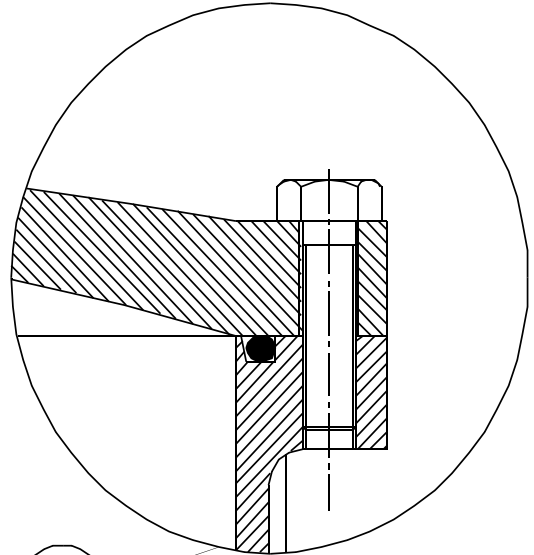


SHAFT SEALING-BEARING



GUARD APPLICATION

BODY-COVER SEALING



BODY-DISC SEAT ATTACHMENT