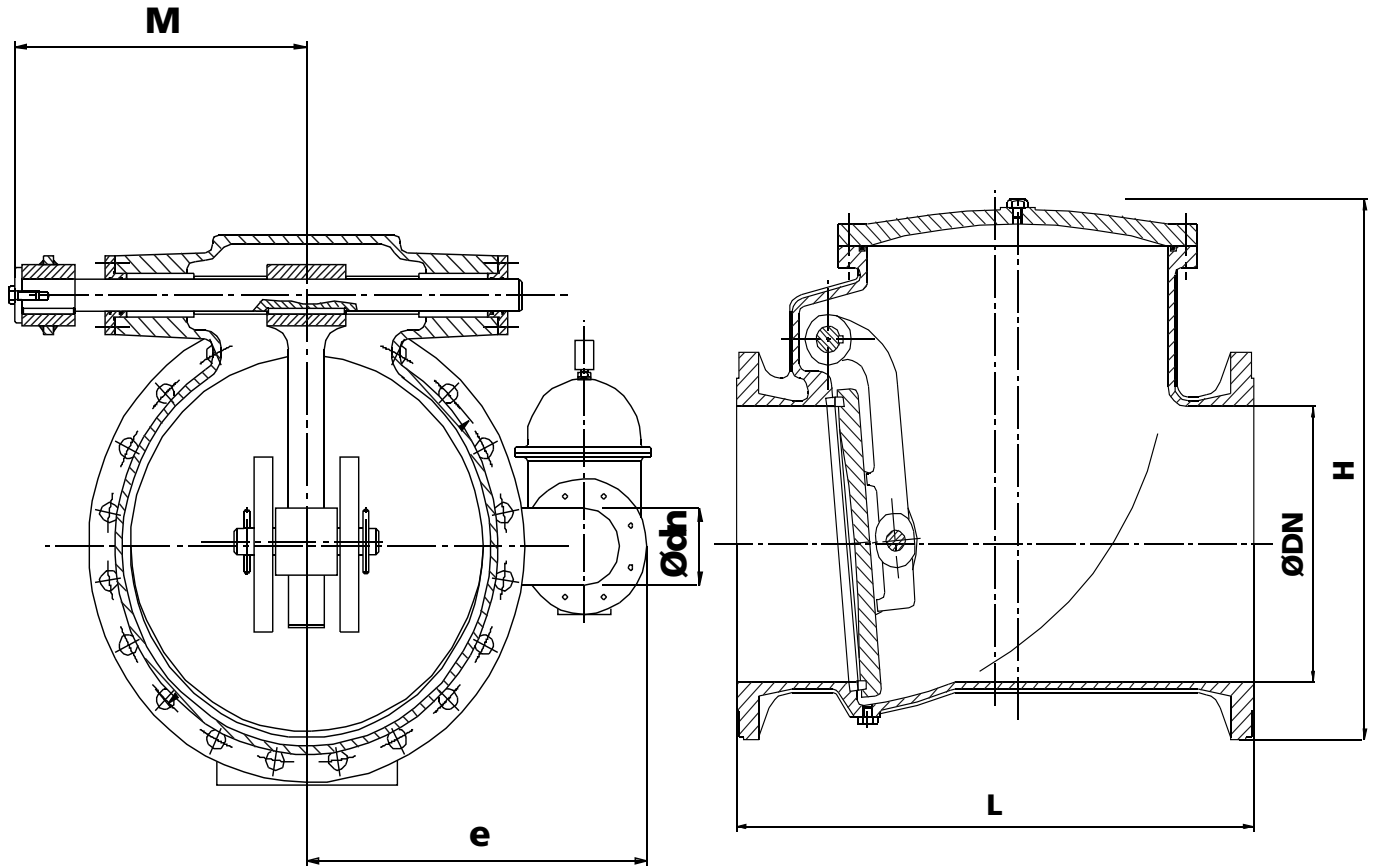


No	Description	Material	Standard	BS Std.	DIN Standard
1	Body	Cast Iron (PN 10-16)	GG25	1452-61 Gr. 17	1691 GG-25
		Ductile Iron (PN 10-25)	GGG50	2789-73 Gr. 500/7	1693 GGG-50
2	Disc	Ductile Iron	GGG50	2789-73 Gr. 500/7	1693 GGG-50
3	Shaft	Stainless Steel	X20Cr13	970/4-70 420 S37	17440
4	Arm	Ductile Iron	GGG50	2789-73 Gr. 500/7	1693 GGG-50
5	Body Seat	Bronze	Rg5	1400 LG2	1705 G-CuSn5ZnPb
6	Disc Seat	Bronze	Rg5	1400 LG2	1705 G-CuSn5ZnPb
7	Bearing	Bronze	Rg5	1400 LG2	1705 G-CuSn5ZnPb
8	Cover	Cast Iron (PN 10-16)	GG25	1452-61 Gr. 17	1691 GG-25
		Ductile Iron (PN 10-25)	GGG50	2789-73 Gr. 500/7	1693 GGG-50
9	Hinge Pin	Stainless Steel	X20Cr13	970/4-70 420 S37	17440
10	Lever	Steel	St 37	4360-79 40 C	
11	Weight	Cast Iron	GG25	1452-61 Gr. 17	1691 GG-25
12	O-Rings	Rubber	EPDM	-	-
13	Shaft Cover	Cast Iron	GG25	1452-61 Gr. 17	1691 GG-25
14	Pins	Stainless Steel	AISI 304	970/4-710 Gr. 316 S16	17440 1.4301



DN	PN 10-16		PN 25		Ødn	H	M
	L	L	L	L			
150	356	480	480	480	19	440	305
200	495	600	600	600	19	515	360
250	622	730	730	730	25	600	420
300	698	850	850	850	38	675	470
350	788	980	980	980	50	765	540
400	915	1100	1100	1100	50	845	595
450	965	1200	1200	1200	65	920	650
500	1067	1250	1250	1250	65	1000	710
600	1219				80	1140	820
700	1420				100	1310	945
800	1560				100	1470	1060
900					100	1545	1170
1000					100	1700	1295
1200					150	2000	1520