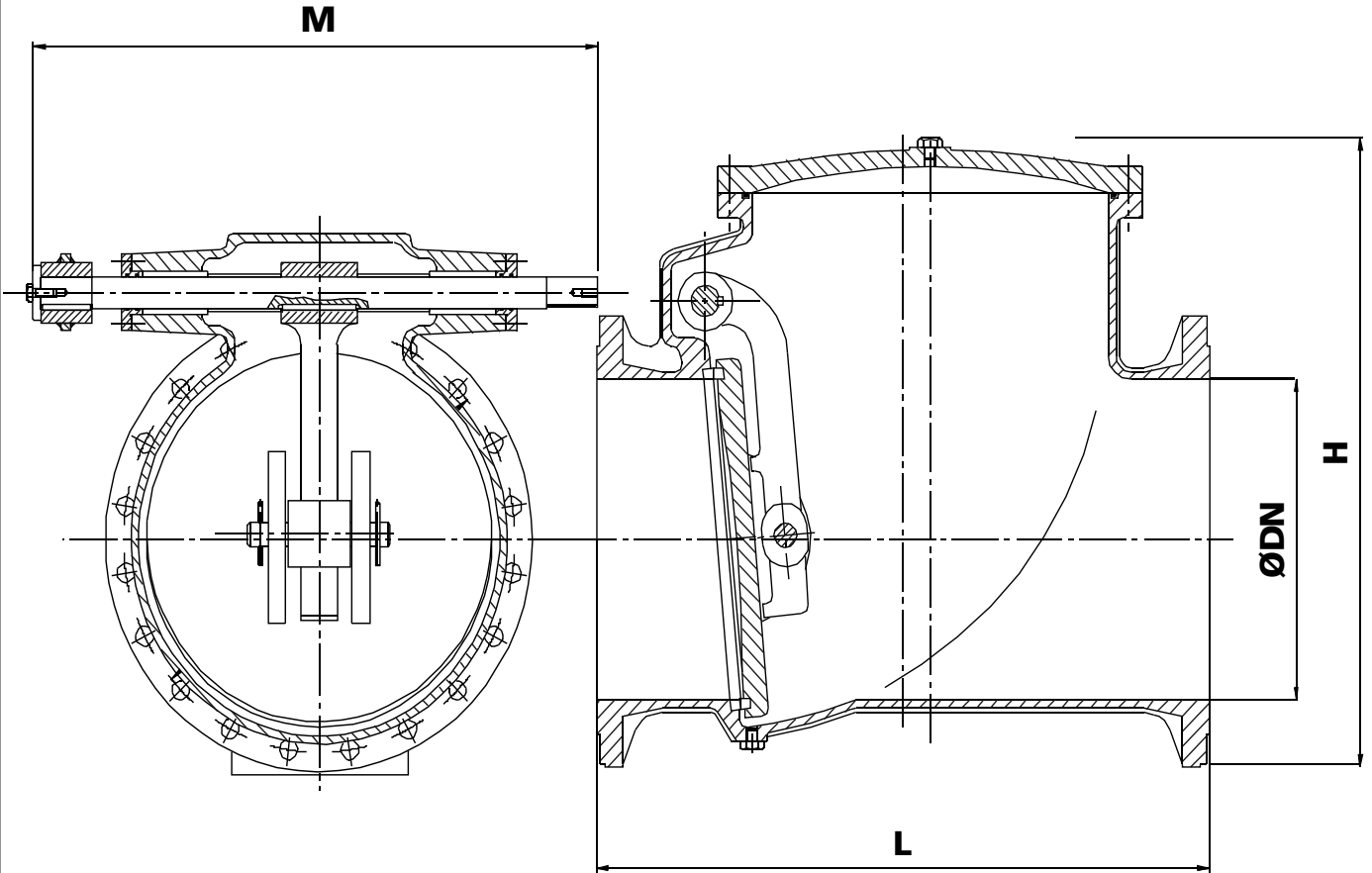


No	Description	Material	Standard	BS Std.	DIN Standard
1	Body	Cast Iron (PN 10-16)	GG25	1452-61 Gr. 17	1691 GG-25
		Ductile Iron (PN 10-25)	GGG50	2789-73 Gr. 500/7	1693 GGG-50
2	Disc	Ductile Iron	GGG50	2789-73 Gr. 500/7	1693 GGG-50
3	Shaft	Stainless Steel	X20Cr13	970/4-70 420 S37	17440
4	Arm	Ductile Iron	GGG50	2789-73 Gr. 500/7	1693 GGG-50
5	Body Seat	Bronze	Rg5	1400 LG2	1705 G-CuSn5ZnPb
6	Disc Seat	Bronze	Rg5	1400 LG2	1705 G-CuSn5ZnPb
7	Bearing	Bronze	Rg5	1400 LG2	1705 G-CuSn5ZnPb
8	Cover	Cast Iron (PN 10-16)	GG25	1452-61 Gr. 17	1691 GG-25
		Ductile Iron (PN 10-25)	GGG50	2789-73 Gr. 500/7	1693 GGG-50
9	Hinge Pin	Stainless Steel	X20Cr13	970/4-70 420 S37	17440
10	Lever	Steel	St 37	4360-79 40 C	
11	Weight	Cast Iron	GG25	1452-61 Gr. 17	1691 GG-25
12	O-Rings	Rubber	EPDM	-	-
13	Shaft Cover	Cast Iron	GG25	1452-61 Gr. 17	1691 GG-25
14	Pins	Stainless Steel	AISI 304	970/4-710 Gr. 316 S16	17440 1.4301



DN	PN 10-16 L	PN 25 L	H	M	PN 10-16 App. W (kg)
150	356	480	440	305	150
200	495	600	515	360	220
250	622	730	600	420	290
300	698	850	675	470	360
350	788	980	765	540	500
400	915	1100	845	595	685
450	965	1200	920	650	840
500	1067	1250	1000	710	1160
600	1219		1140	820	1470
700	1420		1310	945	2010
800	1560		1470	1060	2500
900			1545	1170	
1000			1700	1295	
1200			2000	1520	
1400			2300	1745	
1600			2490	1970	
1800			2900	2195	