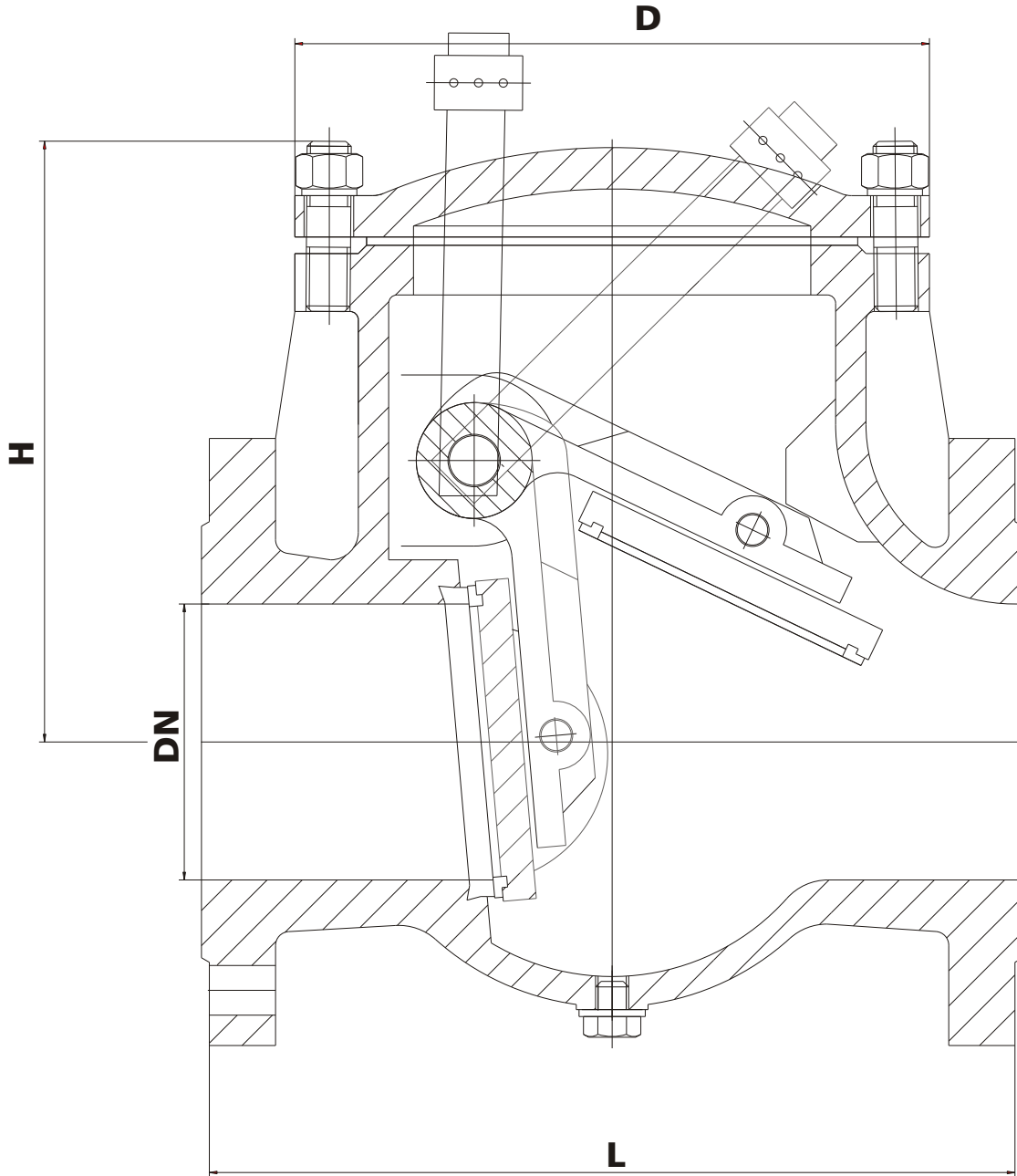


No	Description	Std	BS Std.	Material
1	Body	GG-25	1452-61 Gr. 17	Cast Iron
2	Bolts			Hot galv. steel
3	Gasket			
4	Body Seat	Bronze Rg5	1400 LG2	Bronze
5	Disc Seat	Bronze Rg5	1400 LG2	Bronze
6	Disc	GG-25	1452-61 Gr. 17	Cast Iron
7	Arm			
8	Shaft Pin	X20Cr13	970/4-70 420 S37	Stainless Steel
9	Shaft	X20Cr13	970/4-70 420 S37	Stainless Steel
10	Bonnet	GG-25	1452-61 Gr. 17	Cast Iron
11	Nuts	X10Cr18Ni9Ti	970/4-70 321 S31	Stainless Steel
12	Gasket			
13	Bolts			Hot galv. steel
14	Lever	GG-25	1452-61 Gr. 17	Cast Iron
15	Weight	GG-25	1452-61 Gr. 17	Cast Iron



DN	L	D	H
40	165	150	133
50	203	165	143
65	216	185	156
80	241	200	169
100	292	220	194
125	330	250	224
150	356	285	249
200	495	340	279
250	622	405	290
300	698	460	330