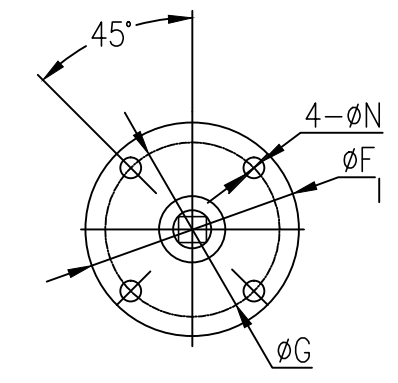
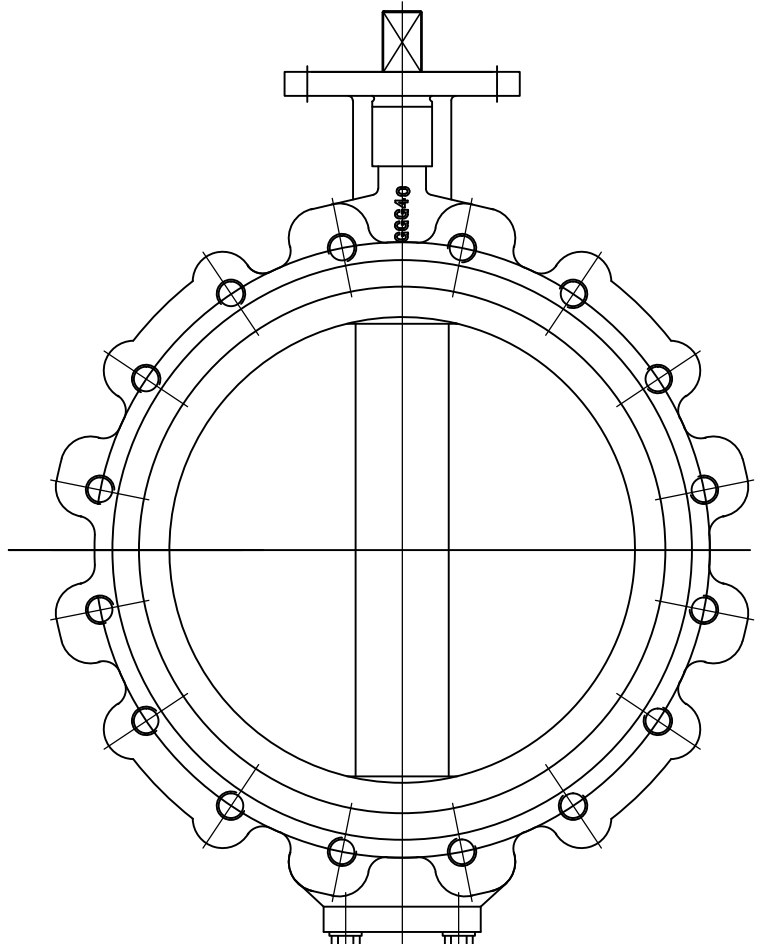
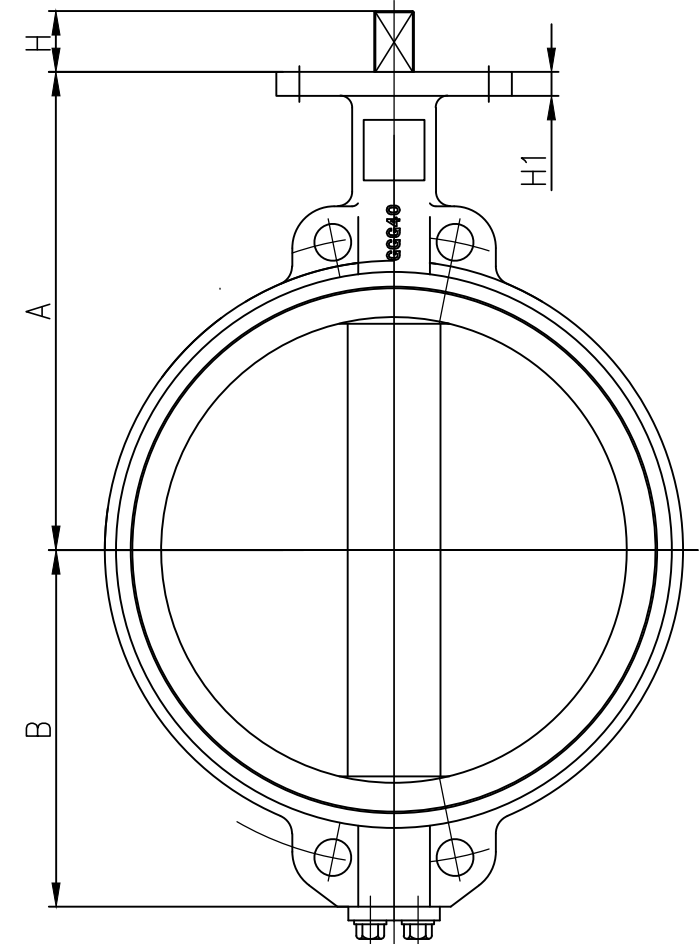
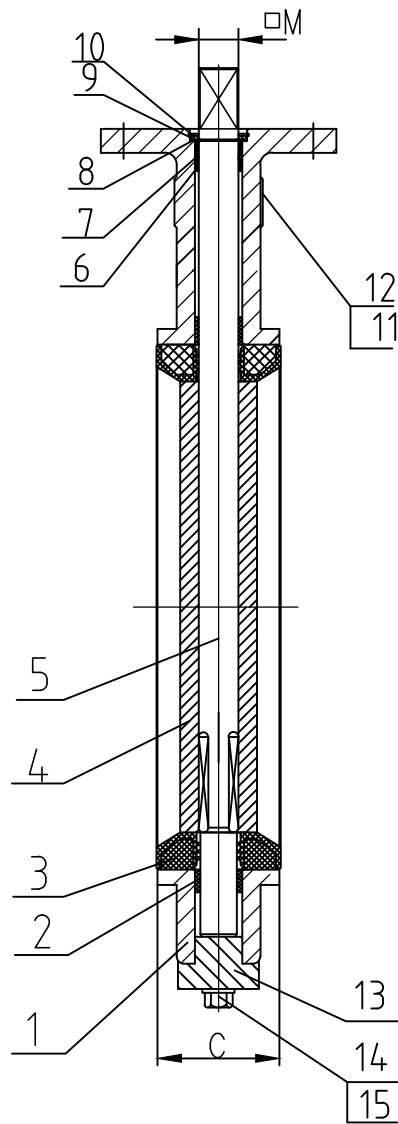
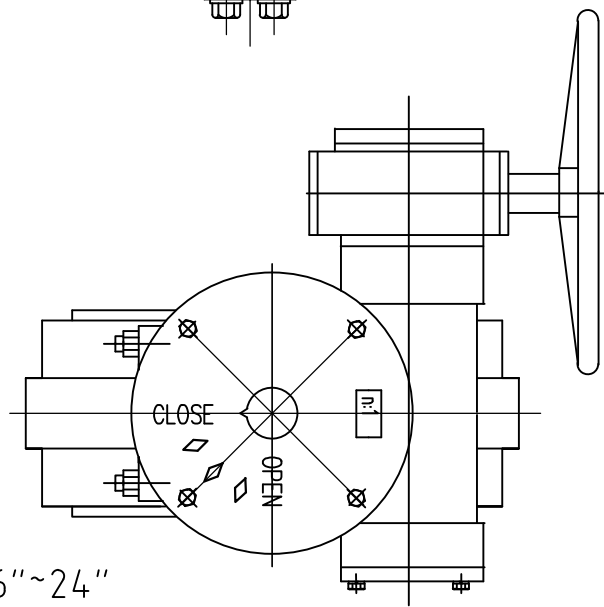


DN	A	B	C	H	F	ΦG	4-ΦN	H1	Φd	M
350	368	268	78	45	150	125	14	20	31,6	27
400	400	299	102	50	150	125	14	20	33,15	27
450	422	318	114	50	210	140	18	20	37,95	36
500	479	349	127	60	210	140	18	22	41,12	36
600	562	410	154	70	210	165	22	22	50,62	46



DETALJ	STANDARD
Design standard	API 609
Test standard	API 598
Face to face	API 609A
Flens Standard	DIN PN10/16, ANSI 150



Pos.	ART.NR	NAVN	ANT	MATERIAL
10	GB/T893.1-1986	LÅSERING	1	
9		UNDERLAGSSKIVE	1	SS316
8	GB/T893. 4.1-1986	LÅSERING	1	
7		ORING	1	NBR/EPDM
6	D71X-10/16-02short-II	LAGER	2	F4
5	DN40-300D71X-10/16-02	AKSEL	1	SS431
4	DN40-300D71X-10/16-03	SPJELD	1	CF8/CF8M
3	D71X-10/16-04	LINING	1	NBR/EPDM/PTFE
2	D71X-10/16-05	LAGER	2	F4
1'	D71X-10/16-01LT	VENTILHUS	1	GG25/GGG40
1	D71X-10/16-01A	VENTILHUS	1	GG25/GGG40

16	GB/T1095-2003	SPORKILE	1	CARBON STÅL				
15	GB/T95-2002	UNDERLAGSKIVE	2					
14	GB/T5782-2000	SKRUE	2					
13	D71X-10/16-6-1	ENDESTYKKE	1	GG25				
12	GB/T827-1986	NAGLE 2X5	2					
11		NAVNEPLATE	1	SS304				
POS.	ART. NR	NAVN	ANT.	MATERIAL				

WAK.no

14"-24" Sammenstillingstegn.

DN350~600D71X-10-00

Design
Collate
Audit
Technics
Date 31.12.08